

EUROPEAN PATENT OFFICE

Patent Abstracts of Japan

PUBLICATION NUMBER : 2002200601
PUBLICATION DATE : 16-07-02

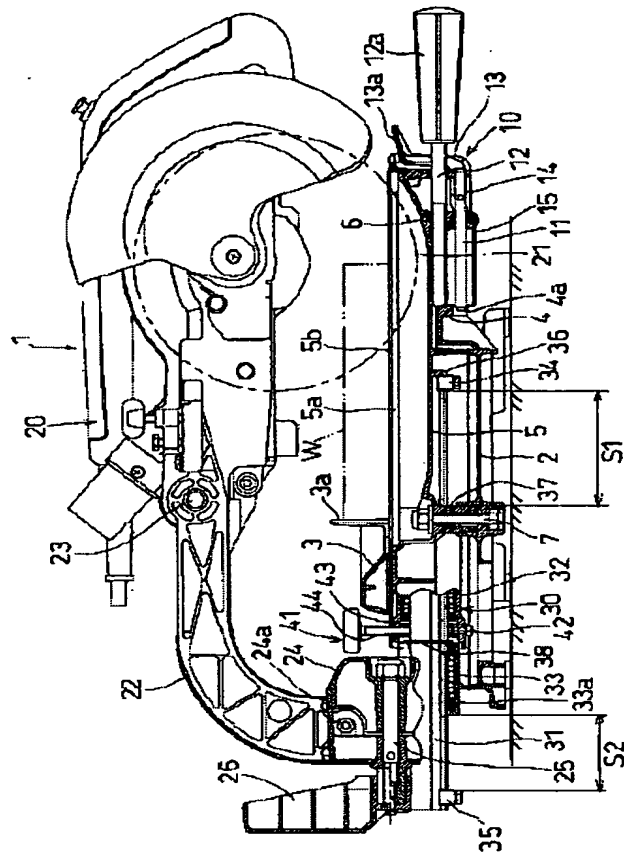
APPLICATION DATE : 28-12-00
APPLICATION NUMBER : 2000402605

APPLICANT : MAKITA CORP;

INVENTOR : HIGUCHI HISASHI;

INT.CL. : B27B 5/20 B23D 45/04 B23D 47/02

TITLE : SLIDING CIRCULAR SAWING
MACHINE



ABSTRACT : PROBLEM TO BE SOLVED: To extend a transfer amount of a circular saw main body in a state wherein increase in size of a table is avoided in a sliding circular sawing machine wherein the circular saw main body has a constitution capable of moving in a surface direction of a table.

SOLUTION: In the sliding circular saw machine wherein the circular saw main body 20 equipped with a sawtooth 21 is arranged to be operated movably in shifted vertically above the table 5, a sliding bar 31 is provided transferrably in the table surface direction via a bearing 32 to the table 5. Further, an arm holder 24 of an arm 22 supporting the circular saw main body 20 is fitted transferrably in an axial direction via a bearing 23 to the sliding bar 31. Thereby the circular saw main body 20 has a constitution capable of moving in two stages to the table 5.

COPYRIGHT: (C)2002,JPO

BEST AVAILABLE COPY